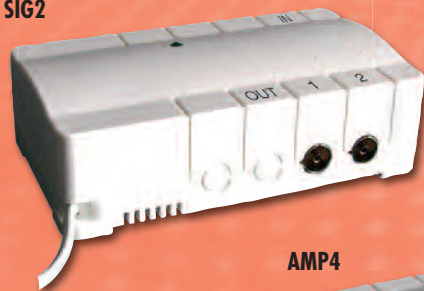


# TV DISTRIBUTION AMPLIFIERS (WIDE BAND)

SIG2



## DIGITAL READY

AMP4



## DISTRIBUTE DIGITAL TV AROUND DIFFERENT ROOMS

## REMOTE CONTROL SIGNAL SENDER

EYE/D



### APPLICATIONS

The SIG and AMP 4 range of distribution amplifiers allow you to distribute TV or radio signals around a building. They are compatible with aerials or the RF-OUT 2 signals found on UK digital satellite receivers.

It is also possible to control the functions of the satellite receiver from secondary locations by using the receivers remote control and a Digieye (EYE/D).

Note: Bypass kit EBP/D required on SIG 2 and 4.

**EYE/D** Enables you to remotely operate your digital satellite receiver from 1 or more auxiliary points around your home etc. by sending signals down the co-axial cable back to the RF-OUT 2 on your satellite receiver box i.e. changes channel. It is fully compatible with UK digital satellite receivers featuring an RF-OUT 2 output

\*Note: Remote controls must operate within 30-40KHz range.

### TECHNICAL SPECIFICATION

Catalogue Number.	Frequency	Average gain per outlet
<b>SIG2</b>	Wideband UHF, VHF, FM	16dB
<b>AMP4</b>	Wideband UHF, VHF, FM	16dB
Voltage 230V AC 50Hz		

### FEATURES

- Simple to install
- Suitable for distribution of signals for digital, satellite TV, terrestrial TV and FM radio.

### ORDERING DATA

#### DIGITAL TV DISTRIBUTION AMPLIFIERS (WIDE BAND)

Catalogue No.	Description	Units
<b>SIG2</b>	1 in 2 out	each
<b>SIG4</b>	1 in 4 out	each
<b>AMP4</b>	1 in 4 out.	each

#### ACCESSORIES FOR DIGITAL SYSTEMS

<b>EYE/D</b>	Digieye Remote Control Sender	each
<b>EPB/D</b>	Bypass Kit	each

# TV DISTRIBUTION AMPLIFIERS

## DIGITAL READY



AMP6N



AMP8N

## UP TO 32 TVs FROM 1 AERIAL

### TECHNICAL SPECIFICATION

Model	6 Way	8 Way
No. of inputs	2 (1 UHF, 1VHF/FM)	2 (1 UHF, 1VHF/FM)
No. of outputs	6 + FULL OUTPUT	8 + FULL OUTPUT
Frequency Range - UHF:	470MHz - 860MHz	470MHz - 860MHz
VHF/FM	47-230MHz	47-230MHz
Channels	21-68 /1-13	21-68 /1-13
Gains per outlet (Typical)	11dB	11dB
Full outlet gain (Typical)	22dB	22dB
Noise figure (Typical)	>3.5dB	>3.5dB
Masthead power	Auto switching 12V DC @ 29mA max. load	Auto switching 12V DC @ 29mA max. load
Mains Supply	230V	230V
Impedance	75 ohms	75 ohms
Weight	748g	748g
Dimensions (mm)	252 x92 x 43	252 x92 x 43

### APPLICATIONS

These units are ideal for flats, showrooms, service departments etc for systems needing between 6 and 20 UHF (TV), VHF (radio) outlets.

### PRODUCT SPECIFICATION

Models **AMP6N** & **AMP8N** are high quality domestic splitter/amplifiers for UHF/VHF wideband signals.

Where distribution of video, satellite or cable TV signal is required, the **AMP6N** & **AMP8N** are specifically recommended. Each unit has separate inputs for UHF and VHF. LEDs indicate that mains power is "on". Housed within a moulded ABS plastic casing, each model is double insulated for optimum electrical safety. Each unit is supplied complete with screws for fast, easy surface mounting.

### FEATURES

- Separate UHF and VHF inputs.
- Automatic switching for line power on UHF input.
- Co-axial plug connections, in and out. Ready for immediate connection to television via co-axial leads.
- Easy to install without any technical knowledge.
- **AMP6N**, up to 6 television sets linked to a single aerial or video recorder.
- **AMP8N**, up to 8 television sets linked to a single aerial or video recorder.

### CABLE REQUIREMENTS

Use satellite or digital satellite cable

NB: **FS204** and **FS612** come complete with 'F' Type connections.

### Split Isolation Return Loss

<b>FS204</b>	<4.5dB	>20dB	>15dB
<b>FS612</b>	<12dB	>20dB	>11dB

### ORDERING DATA

#### PROFESSIONAL DISTRIBUTION AMPLIFIERS

Catalogue No.	Description	Units
<b>AMP6N</b>	1 in 6 out.	each
<b>AMP8N</b>	1 in 8 out.	each

#### ACCESSORIES

Catalogue No.	Description	Units
<b>FS204</b>	2 Way Splitter (For use with AMP8N)	each
<b>FS612</b>	6 Way Splitter (For use with AMP8N)	each

# TV DISTRIBUTION SYSTEMS



LOFT/4

**THE ULTIMATE  
IN VIEWING DISTRIBUTION**



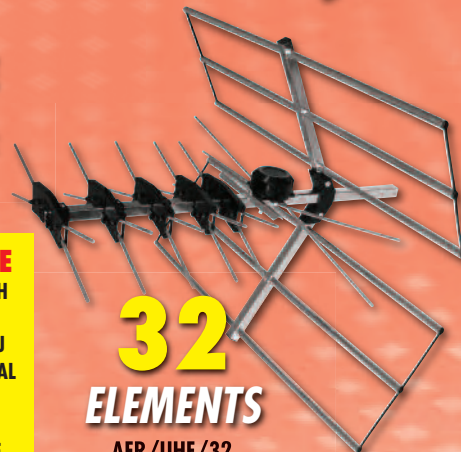
LOFT/8



**10  
ELEMENTS**

AER/UHF

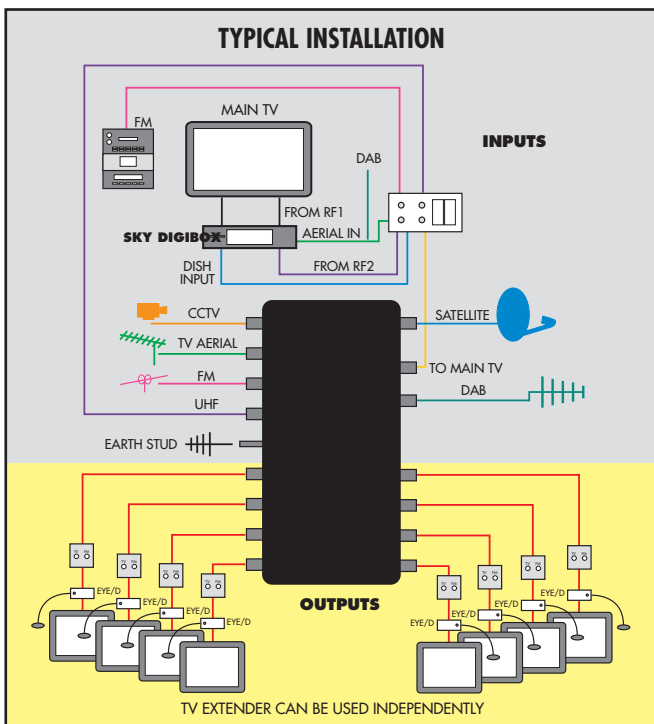
**FULLY  
COMPATIBLE  
WITH UK DIGITAL  
SATELLITE RECEIVERS**  
EYE/D



**32  
ELEMENTS**

AER/UHF/32

**ERL ADDED VALUE  
TV AERIALS SUPPLIED WITH  
ALL THE PLUGS, CLIPS,  
BRACKETS AND LEADS YOU  
NEED TO CONNECT AN AERIAL  
TO A TELEVISION OR  
FREEVIEW BOX, SAVING  
TIME AND MONEY ON-SITE.**



## APPLICATIONS

A fully integrated TV, Video, Satellite, Radio and CCTV distribution system. Ideal for use in domestic, commercial and industrial installations such as guest houses, hotels, nursing homes, blocks of flats etc. System is approved for use with "Sky" systems.

**LOFTBOX** (Master Control Box/Amplifier) Combines up to 6 inputs (SATELLITE, UHF, and DIGITAL TV, FM, DAB and CCTV) into one single download output per TV. Accepts a return feed from TV/Sky digibox (UHF2). 4 and 8 output models available (6dB gain for each TV).

For CCTV option, see pages 38 & 39 for suitable cameras.

Note: TV Modulator (CT210) required for each camera.

### EYE/D

Enables you to remotely operate your digital satellite receiver from 1 or more auxiliary points around your home etc. by sending signals down the co-axial cable back to the RF-OUT 2 on your satellite receiver box i.e. changes channel. It is fully compatible with UK digital satellite receivers featuring an RF-OUT 2 output.

\*Note: Remote controls must operate within 30-40KHZ range.

## ORDERING DATA

### DIGITAL TV DISTRIBUTION SYSTEMS

Catalogue No.	Description	Units
LOFT/4	4 Way Control Box	each
LOFT/8	8 Way Control Box	each
CFP1	F Type Co-Axial Plug RG6	(10) pack
EYE/D	Digieye Remote Control Sender	each

# AERIAL KITS

## FEATURES

- Choice of 2 aerials for either strong or medium strength signal areas
- Suitable for receiving all terrestrial, Freeview and other digital signals
- Kits complete with 10 metres of co-axial cable

## PRODUCT SPECIFICATION

**AER/UHF/32** - 32 element aerial kit

**AER/UHF** - 10 element aerial kit,

The aerial kits contain all the components required including aerial, mounting arm, heavy duty mounting bracket, 10 metres of screened co-axial cable, co-axial plug and cable clips. Suitable for loft or wall mounting (mounting kit supplied).

## APPLICATIONS

Residential locations where television reception is desired

## ORDERING DATA

### AERIAL KITS FOR DIGITAL TV RECEPTION

Catalogue No.	Description	Units
AER/UHF	10 Element Aerial Kit	each
AER/UHF/32	32 Element Aerial Kit	each

# TV & DATA DISTRIBUTION SYSTEMS & CO-AXIAL ACCESSORIES



FAS3/SH

**CREATE YOUR OWN TV DISTRIBUTION SYSTEM WITH THESE MODULAR ACCESSORIES**



MOD/RJ45



MOD/BT



MOD/UHF



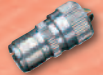
FAS2/2CF



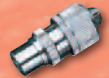
FAS2/CF



CFP1



MFP



MCP



PLC1



YS2

## APPLICATIONS

This shielded co-axial socket can be used with the loftbox TV distribution system or on its own. **FAS3/SH** allows the installer to customise the installation using the MOD modules.

**FAS3/SH** Shielded TV, FM, SAT-OUT & RF-OUT 2 socket plate is supplied with a telephone socket and blanking plate. They can be replaced with either a further telephone socket (**MOD/BT**), an RJ45 socket (**MOD/RJ45**) or a UHF socket (**MOD/UHF**).

This is an ideal wall plate for SKY or SKY+ installations.

The FAS3/SH requires a 2 gang box.

All of the above co-axial sockets are compatible for use with EYE/D digital signal sender when part of a satellite box system with RF-OUT 2 (SKY/SKY+) see page 72 or 73.

**All products on this page:-  
bulk prices available, Contact sales office**

## ORDERING DATA

### DIGITAL TV DISTRIBUTION SYSTEMS

Catalogue No.	Description	Units
<b>FAS3/SH</b>	Shielded Triple Co-axial Socket	each

### ACCESSORIES

Catalogue No.	Description	Units
<b>MOD/BT</b>	BT Socket (FAS3/SH)	each
<b>MOD/UHF</b>	UHF Socket (FAS3/SH)	each
<b>MOD/RJ45</b>	RJ45 Socket (FAS/SH)	each

## ORDERING DATA

### CO-AXIAL SOCKETS - FLUSH - SURFACE

The range of White Plastic Co-Ax Sockets has screw terminals. Flush socket plates are available with either Co-axial or F type sockets and are designed to fit standard electrical back boxes.

Catalogue No.	Description	Units
<b>FAS2/CF</b>	Twin 1 x F Type & 1 x Co-axial socket.	each
<b>FAS2/2CF</b>	Twin F Type socket	each

### PLUGS - SOCKETS - F TYPE CONNECTORS

Male and Female Plugs, Line Connectors and Attenuators.

Catalogue No.	Description	Units
<b>MCP</b>	Chrome with Brass Claw. Bulk Packed	each
<b>MFP</b>	Aluminium Co-axial Female Plug	each
<b>PLC1</b>	Plastic Co-axial Coupler. (Back to Back)	each
<b>CFP1</b>	F Type Co-axial Plug RG6	each

100+ rate may be mixed for 100+ rate

### AERIAL SPLITTERS

Catalogue No.	Description	Units
<b>YS2</b>	1 In, 2 Out. W. Bulk Packed	each